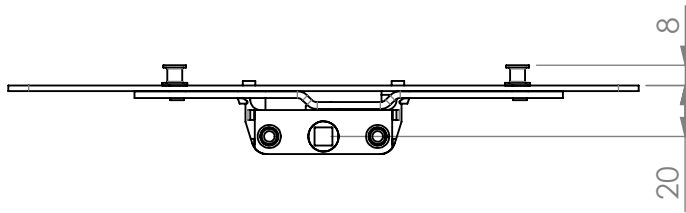
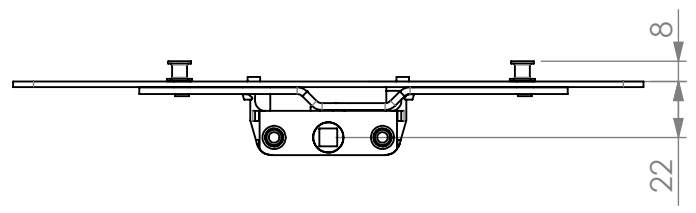


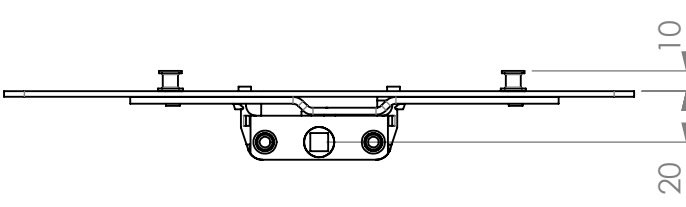
# ID Sheet - Kenrick Mushroom Espagnolettes



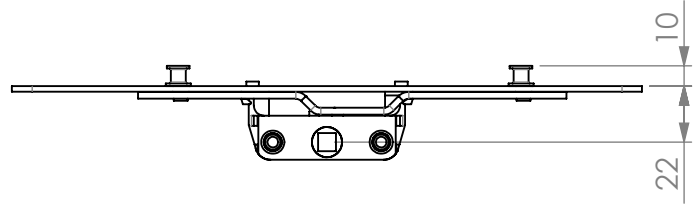
KSES25020



KSES25022

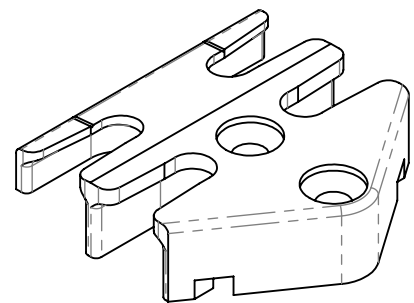
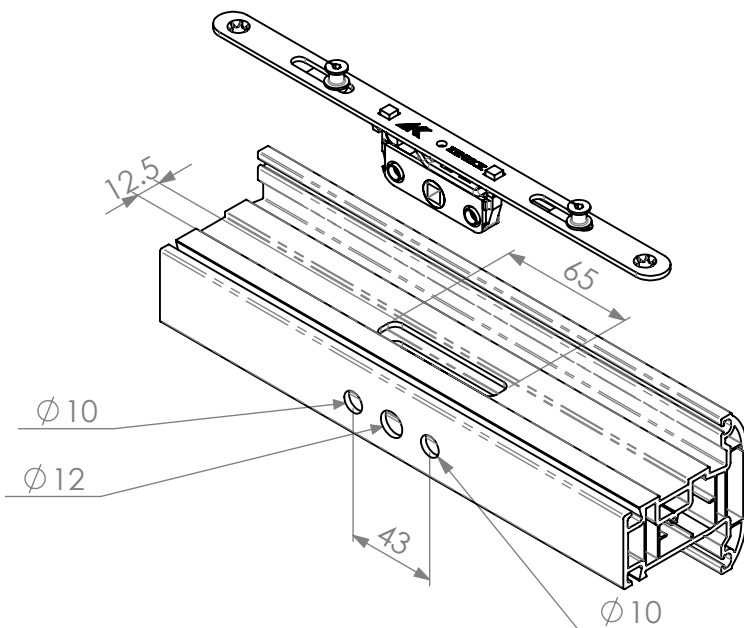


KSES2502010U



KSES2502210U

Bar Length (mm)	No. of Fixing Points	No. of Mushroom Cams
250	2	2
400	4	2
600	6	2
800	6	2
1000	6	3
1200	8	4



Typical Intermediate Keep  
RKO---