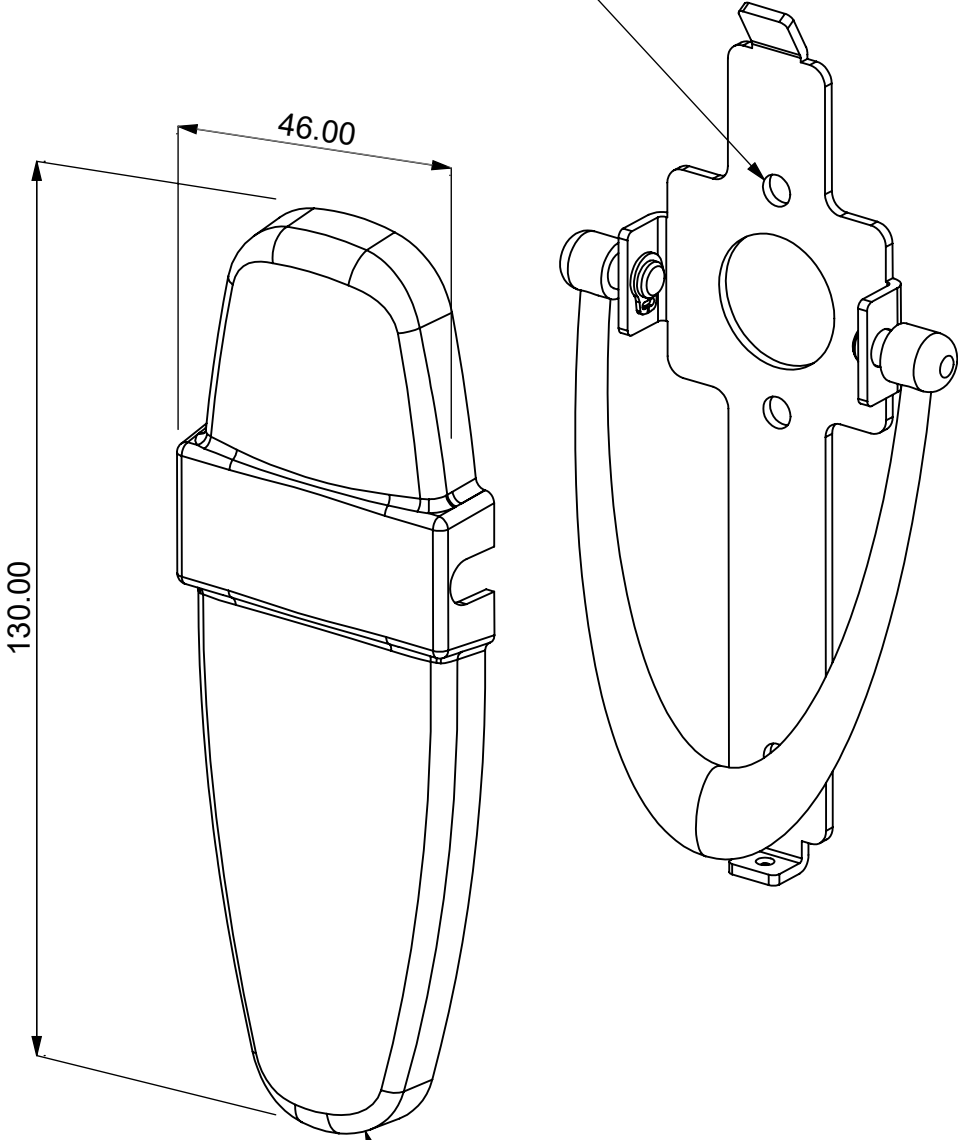


DOOR KNOCKER

Fix with 3 Self Tapping Screws
(Supplied)



Feed Cover Plate through Handle, locate
top of Cover Plate on top of Back Plate &
tighten Grub Screw to retain Cover Plate